

Immersion safety thermostat

Art. 9045

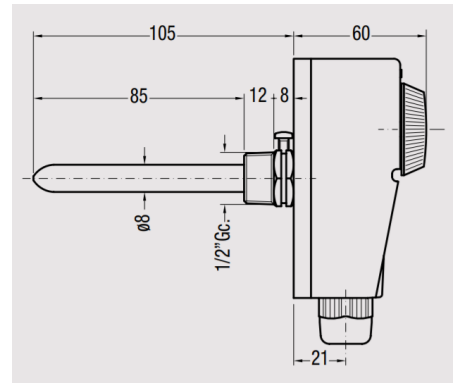
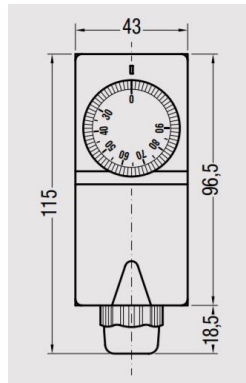


100% MADE IN ITALY 

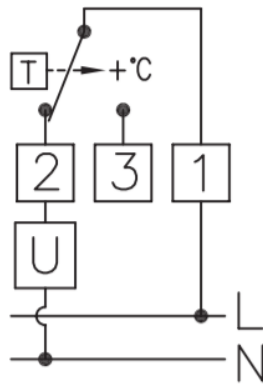
Function Pintossi+C immersion safety thermostat is a bimetallic boxed thermostat, unipolar, with interrupted or changeover switches. It's particularly suitable to measure and regulate temperature on heating systems pipes, like for example turn on and off a circulating pump when temperature reaches a specific level.

Technical specifications	Temperature range:	30-90°C
	Max head temperature:	80°C
	Max bulb temperature:	110°C
	Differential:	8 ± 3K
	Max sheat pressure:	10 bar
	Electrical contact capacity:	16(5) A / 250 V AC
	Max. head temperature:	80°C
	Thermal gradient:	<1°C min
	Protection rating:	IP 40
Insulation:	Class I	
Core hitch:	M20	
Installation:	On pipes	

Dimensions



Electrical scheme



Terminal 1 = common

Terminal 2 = opens the circuit when the set temperature is reached

Terminal 3 = closes the circuit when the set temperature is reached